

**ECEPLAST**  
**BULK**  
**PACKAGING**  
**INNOVATORS**

---

**ECEPLAST SRL**

P: +39 0881 97 80 80

F: +39 0881 97 91 00

E: [info@eceplast.it](mailto:info@eceplast.it)

**REGISTERED OFFICE**

Via della Repubblica Italiana, 110  
70032 Bitonto BA - Italy

**HEAD OFFICE**

S.P.115, km 15,050  
71029 Troia FG - Italy

---

*Italian Company established in 1995*

UNI EN ISO 9001:2008  
UNI EN ISO 14001:2004  
UNI EN ISO 22000:2005

[eceplast.it](http://eceplast.it)

---

# CUSTOMER SPECIFICATION

**ITEM:**  
**1280202XX000**

**DESCRIPTION:**  
**Liner 20ft - 1 loading spout - 1  
discharging spout - big airbags -  
raffia carpet and double adhesive  
tape**



## 1 . CUSTOMER SPECIFICATION

**ITEM** 1280202XX000

**DESCRIPTION** Liner 20ft - 1 loading spout - 1 discharging spout - big airbags - raffia carpet and double adhesive tape

**CURRENT STATE** DRAFT  IN USE

**EDITED** V. Altobelli

**VERIFIED** A. Altobelli, N. Altobelli

**APPROVED BY** G. Altobelli

**CUSTOMER APPROVAL** REFERENCE:

DATE:

## 2 . GENERAL DESCRIPTION

PARTS	MEASURES (mm)	Tolerances/Range	Note	Position On-drawing
<b>Body</b>	L - 5800	± 30 (mm)		
	H - 2400	{-30 ÷ +40} (mm)		
	W - 2460	± 40 (mm)		
<b>Loading</b>	H - 1000	± 20 (mm)	1 Loading spout with PP string to close the Spout	
	Φ - 675	± 3 (mm)		
<b>Discharging</b>	L - 1000	± 50 (mm)	1 Discharging spout (double funnel) with PP string to close the Spout	
	Φ - 675	± 30 (mm)		
<b>Airbag</b>	L - 1900	± 50 (mm)	2 Inflatable airbags	B
	H - 1450	± 10 (mm)		
<b>Flow impact shield</b>	H - 1800	± 50 (mm)	Closed end side reinforcement	D
	H - 1100	± 50 (mm)		



### 3 . FILM FEATURES

Properties	Standard Value	Tolerances/Range	Test Method
<b>Composition</b>	Three layers of coextruded Virgin LDPE	-	-
<b>Color</b>	Neutral	-	-
<b>Thickness</b>	135 (µm)	±15 (µm)	ISO 4593-93
<b>Tensile Strength (MD - TD)</b>	25 - 25 ( $\frac{N}{mm^2}$ )	≥24 - ≥24 ( $\frac{N}{mm^2}$ )	ISO 527-3
<b>Elongation at break (MD - TD)</b>	600 - 600 (%)	≥500 - 500 (%)	ISO 527-3
<b>COF (int/int - ext/ext)</b>	0,3 - 0,6	{0,15÷0,6} - {0,35÷0,8}	ISO 8295
<b>WVTR (water vapor transmission rate)</b>	1,77 ( $\frac{g}{m^2*24h}$ )	N/A	ASTM F 1249
<b>O<sub>2</sub> transmission rate</b>	696 ( $\frac{ml}{m^2*24h}$ )	N/A	ASTM-D3985
<b>CO<sub>2</sub> transmission rate</b>	2369 ( $\frac{ml}{m^2*24h}$ )	N/A	ASTM-D3985
<b>N<sub>2</sub> transmission rate</b>	145 ( $\frac{ml}{m^2*24h}$ )	N/A	ASTM-D3985

### 4 . HANGING AND FIXING POINTS

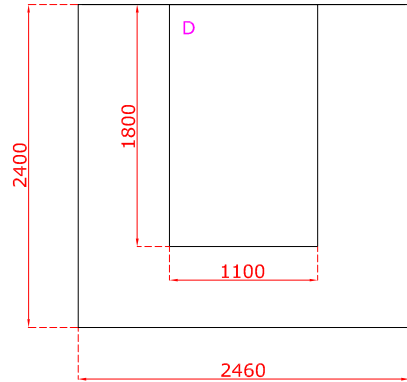
Description	N°	Position On-drawing
<b>Rubber band with carabiner</b>	10	A1, A2, A3, A4, A5
<b>Double rubber band with PP string and carabiner</b>	4	A6, A7
<b>Rubber band</b>	2	A8, A9
<b>PP String</b>	2	A10; A11
<b>Raffia Carpet to secure the floor of the container</b>	1	C
<b>5 metal bars Bulk head</b>	1	E
<b>3 m Double adhesive tape</b>	2	F1; F2



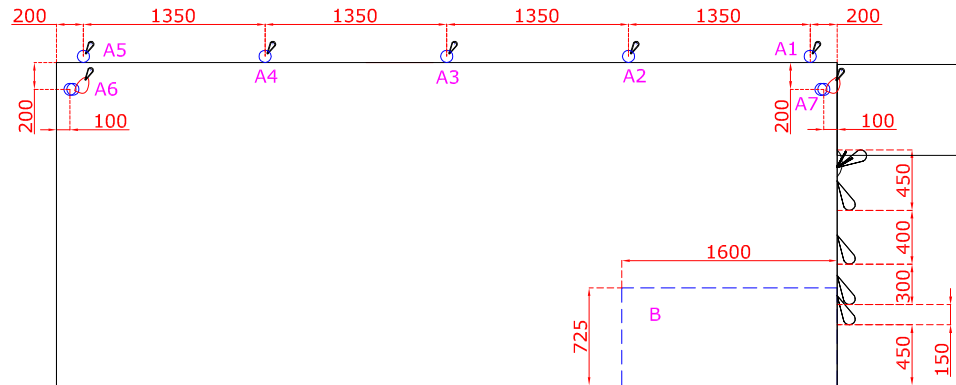
## 5 . PRODUCT INFORMATION

<b>Description</b>	Liner Bag for 20ft containers made of a 3 layers LDPE film, for the transport and storage of dry bulk granules and powder - Food Grade Approved.
<b>Additional packaging</b>	Weight of liner ca. 15 kg/liner.
<b>Material</b>	Without any additions of waste and reclaimed materials Raw materials: For material and manufacturing the packaging the valid E.U. and national guidelines and ordinances are strictly respected: CE 1935/2004 – CE 2023/2006 – UE 10/2011. See conformity declaration n.1/2015 attached at delivery note. This linerbag is not for use in explosive atmospheres.
<b>Certificate</b>	Liner made according to our integrated certified management system for quality, environmental, and food conformity ISO9001:2008 – ISO14001:2004 – ISO22000:2005.
<b>Installation</b>	Once cleaned the pavement of the container, tie the fixing points of the liner to the container hooks, and then fix the liner with the metal bar at the front using the proper raffia envelop, complete the installation placing 5 metal bars to secure the door area. Security backdoor area Yellow sticker "Danger! Bulk Powder! Do not open!" to be glued to the container door in 4 languages.
<b>Data on the liner</b>	2 labels, 1 adhered to the liner on the backdoor side, 1 adhered to the pavement with following data: ECE material no. / Lot no. / Liner no. / date of manufacture / quality control signature.
<b>Packaging and Delivery</b>	On wooden pallet in cardboard box cm130x110h190 – kg 800 of 50 pcs each, with roof and covered by PE stretch, always dust-proof packed; Label with ECE reference, material no., pallet amount, liner no., manufacturing lot, date of manufacture.
<b>Shelf life and operational range</b>	Operative Environmental Temperature range – 20° + 60° Liners must be stored inside to ensure good performance and respect shelf life. Best before one year since production day.

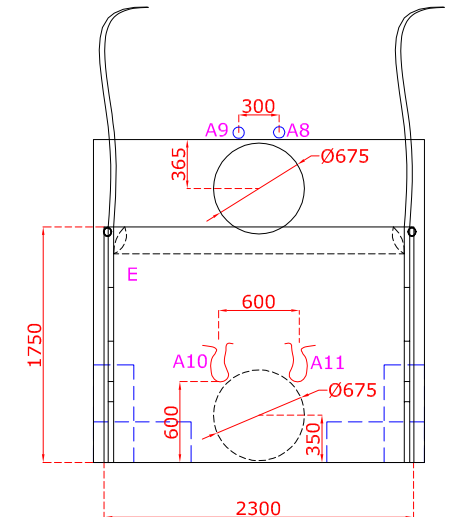
**CLOSED END SIDE VIEW**



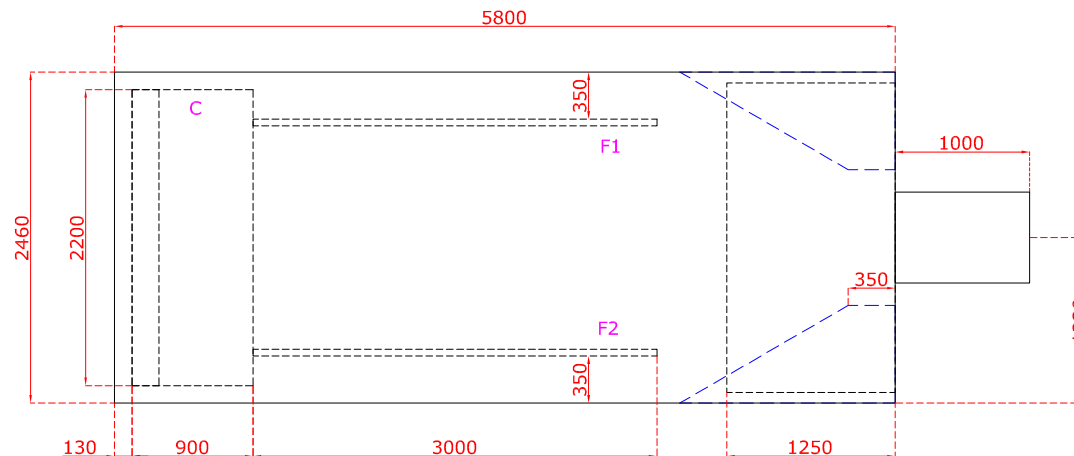
**SIDE VIEW**



**DISCHARGE SIDE FRONT VIEW**

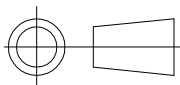


**TOP VIEW**



UNI 3970

TERZO  
DIETRO



TOLLERANCE:

- QUOTES: ±10 mm



**ECEPLAST**

MODEL		<b>Liner 20ft - 1 loading spout - 1 discharging spout</b>		
SPEC. TEC.		<b>1280202XX000</b>	Customer code	
Drawn by R&S	<b>ing. V. Altobelli</b>	VER. by RP	<b>S.Fatone</b>	APPR. by DG <b>G. Altobelli</b>
DATE	REV. n°	DATE REV.	PLATE n°	SCALE
<b>14.09.2015</b>	<b>00</b>		<b>1 of 1</b>	<b>Out of scale</b>